

Model Number

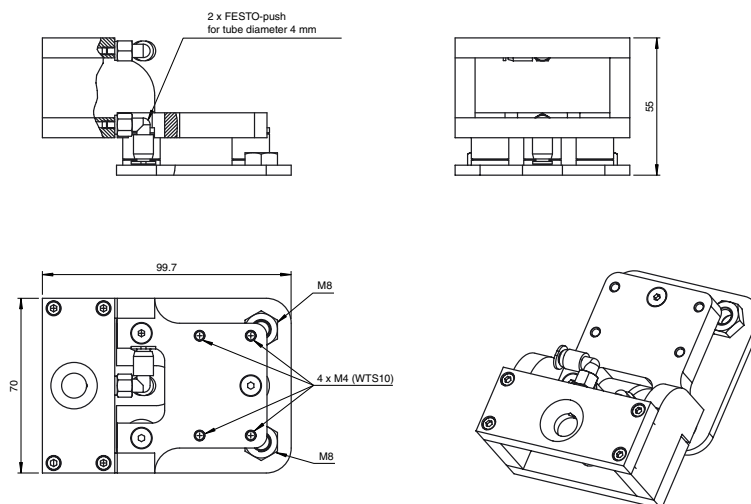
OMH-WTS10-01

Mounting bracket for sensors of WTS10 series

Features

- Mounting bracket
- Simple and fast mounting

Dimensions



Technical data

General specifications

Accessories provided	Incl. 2 x compressed air connection for 4 mm hose diameter Incl. 4 x fixing screws M4 x 25 for sensor WTS10
----------------------	----------------------------------------------------------------------------------------------------------------

Mechanical specifications

Mech. capacity	Max. tong pressure of 5KN
Material	Aluminium / steel
Mass	523 g

Suitable series

Series	WTS10
--------	-------